

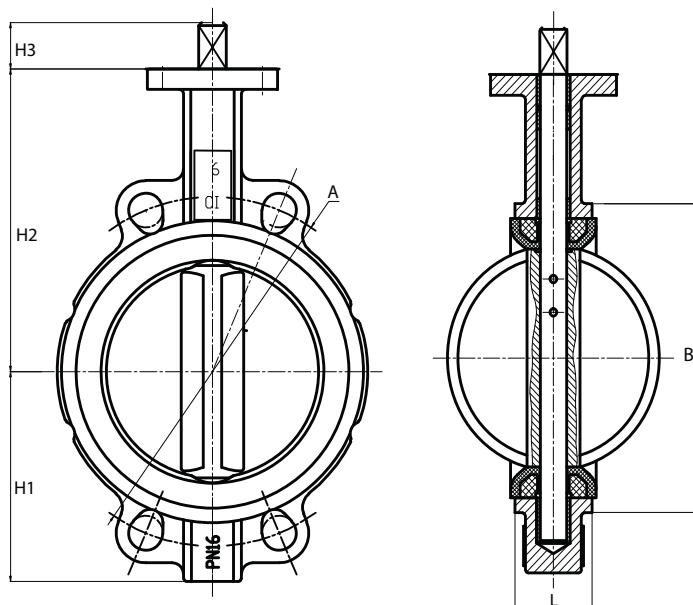
DUCTILE IRON BUTTERFLY VALVE

Concentric Butterfly valve
Wafer Type JIS/DIN/ANSI

Wafer Butterfly valve, One Stem, disc with Pin PN16



Fig. 401G



Parts	Material
Body	Ductile Iron (FCD-S)
Disc	Stainless Steel 304/316
Seat	EPDM
Stem	Stainless Steel 416
Bushing	PTFE
O-Ring	NBR
Index Plate	Aluminum
Handle	Aluminum
Bolt-Nut	Stainless Steel 304
Disc Pin	Stainless Steel 420

Design: BS 5155/EN 593/MSS SP-67/API 609

End connection: BS EN 1092-1/JIS/ANSI

Face to Face: DIN558-1

Pressure Rating: PN16

Operating temperature: -10~110°C

Working Medium: Water, Air.

Top Flange: ISO5211

Finishing: Fusion Bonded Epoxy coating

Testing: EN12266-2

Warranty: 24 Months

Option:

- End connection: ASME B16.5 or JIS10K
- Pneumatic or Electric actuated

Dimensions

mm

DN	50	65	80	100	125	150	200	250
H1	75	82	99	110	125	145	170	210
H2	129	136	153	167	193	209	251	280
H3	32	32	32	32	32	32	40	50
A	125	145	160	180	210	240	295	355
B	95	108	134	156	180	214	265	320
L	43	46	46	52	56	56	60	68