

BALL VALVE

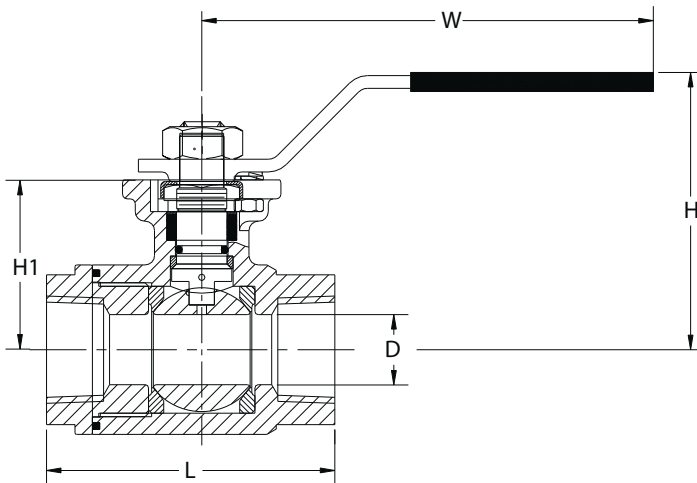
Screwed Bonnet, Full bore Type
Threaded ends Type BSPT/NPT

Ball valve Without Mounting Pad W.O.G 600PSI

BALL VALVES



Fig. 102PT (SUS316) Fig. 102PS (SUS304) Fig. 102PC (WCB)



| Parts | Material | | |
|--|--------------------|--------|-----|
| Cap | CF8M | CF8 | WCB |
| Seat | PTFE/RPTFE/PPL | | |
| Ball | SUS316 | SUS304 | |
| Cap Gasket | PTFE | VITON | |
| Body | CF8M | CF8 | WCB |
| Thrust Washer | PTFE | | |
| Anti-Static Device | SUS301 | | |
| Stem | SUS316 | SUS304 | |
| Belleville Washer | SUS301 | | |
| Anti Loosing Cap | SUS201 | | |
| Handle | SUS304 | | |
| Locking Device | SUS301 | | |
| Handle Cover | PLASTIC | | |
| Stop Bolt | SUS304 | | |
| Stop Nut | A194-8 | | |
| Gland | SUS304 | | |
| Body Gasket | PTFE | | |
| O-Ring | VITON/FKM | | |
| Design | : ASME B16.34 | | |
| P working | : 1000PSI | | |
| Temperature | : -20~+220°C | | |
| Threaded end | : NPT/ BSPT | | |
| Wall Thickness | : ASME B16.34 | | |
| Inspection & Testing | : MSS SP-110 | | |
| Anti-Static Devices For Ball-Stem-Body | | | |
| Application | : Water, Oil, Gas. | | |
| Warranty | : 24 Months | | |

Dimensions

| | mm | | | | | | | | | |
|----|------|-----|-----|-----|-----|-----|-----|-----|-----|-----|
| DN | 8 | 10 | 15 | 20 | 25 | 32 | 40 | 50 | 65 | 80 |
| D | 10.5 | 12 | 15 | 20 | 25 | 32 | 38 | 48 | 65 | 80 |
| L | 50 | 60 | 75 | 80 | 90 | 110 | 120 | 140 | 185 | 205 |
| H | 50 | 57 | 65 | 67 | 80 | 83 | 99 | 107 | 163 | 168 |
| W | 98 | 110 | 110 | 110 | 130 | 160 | 185 | 185 | 305 | 305 |